

SENCO[®]

FN55AX ***18 GAUGE BRAD NAILER***



Parts Reference Guide



*** Schematic drawings inside**

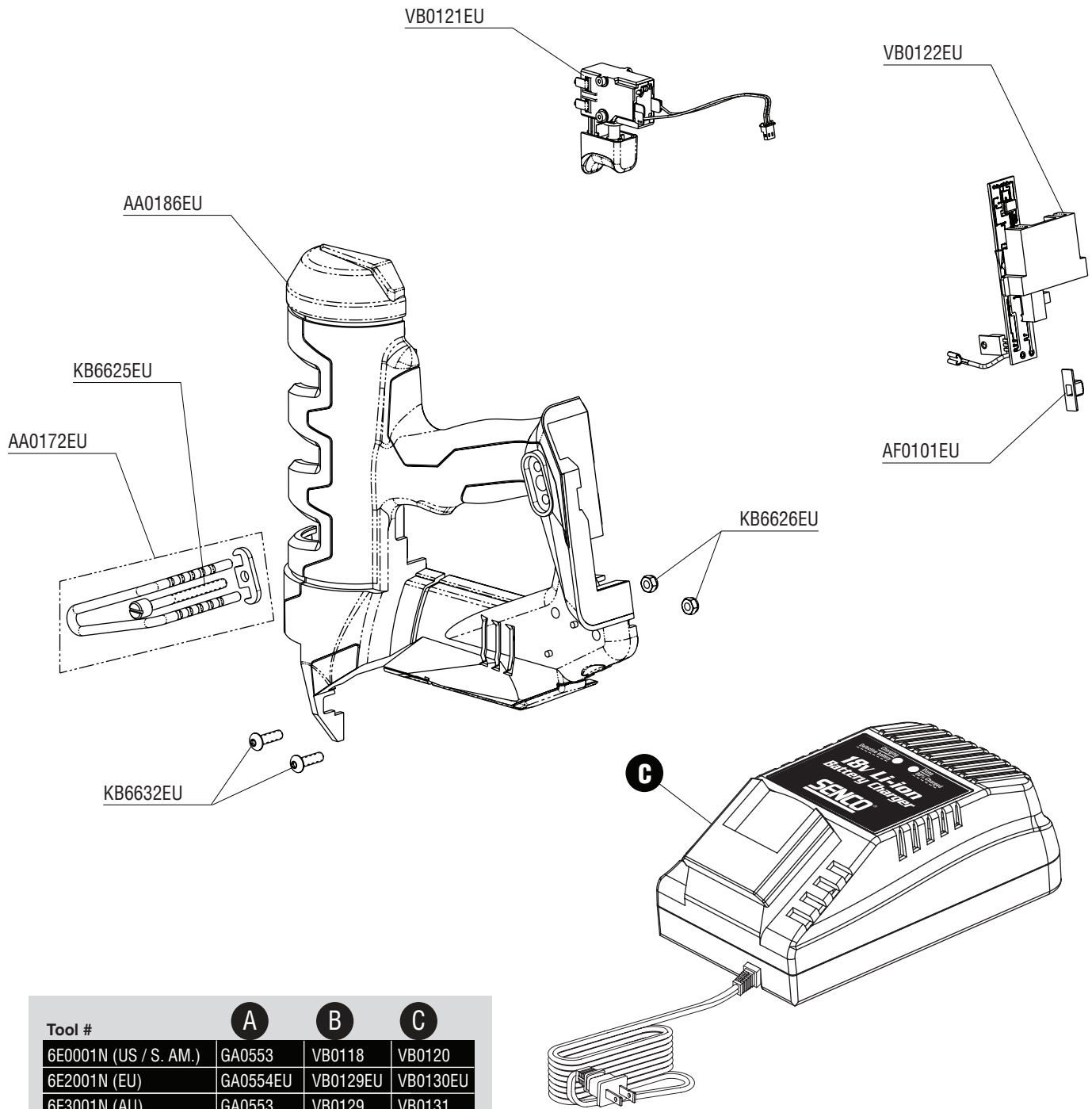
NFE06E Revised November 17, 2010 (Replaces 6/16/10) © 2010 by Senco Brands, Inc. Cincinnati, Ohio 45245—U.S.A.

Senco Brands Inc.
4270 Ivy Pointe Blvd.
Cincinnati, Ohio 45245
Visit Our Website: www.senco.com
EU Website: www.verpa-senco.com

*Questions? Comments? call Senco's toll-free Action-line:
1-800-543-4596 (North & South America only)
or e-mail: toolprof@senco.com*

FN55AX 18 Gauge Brad Nailer

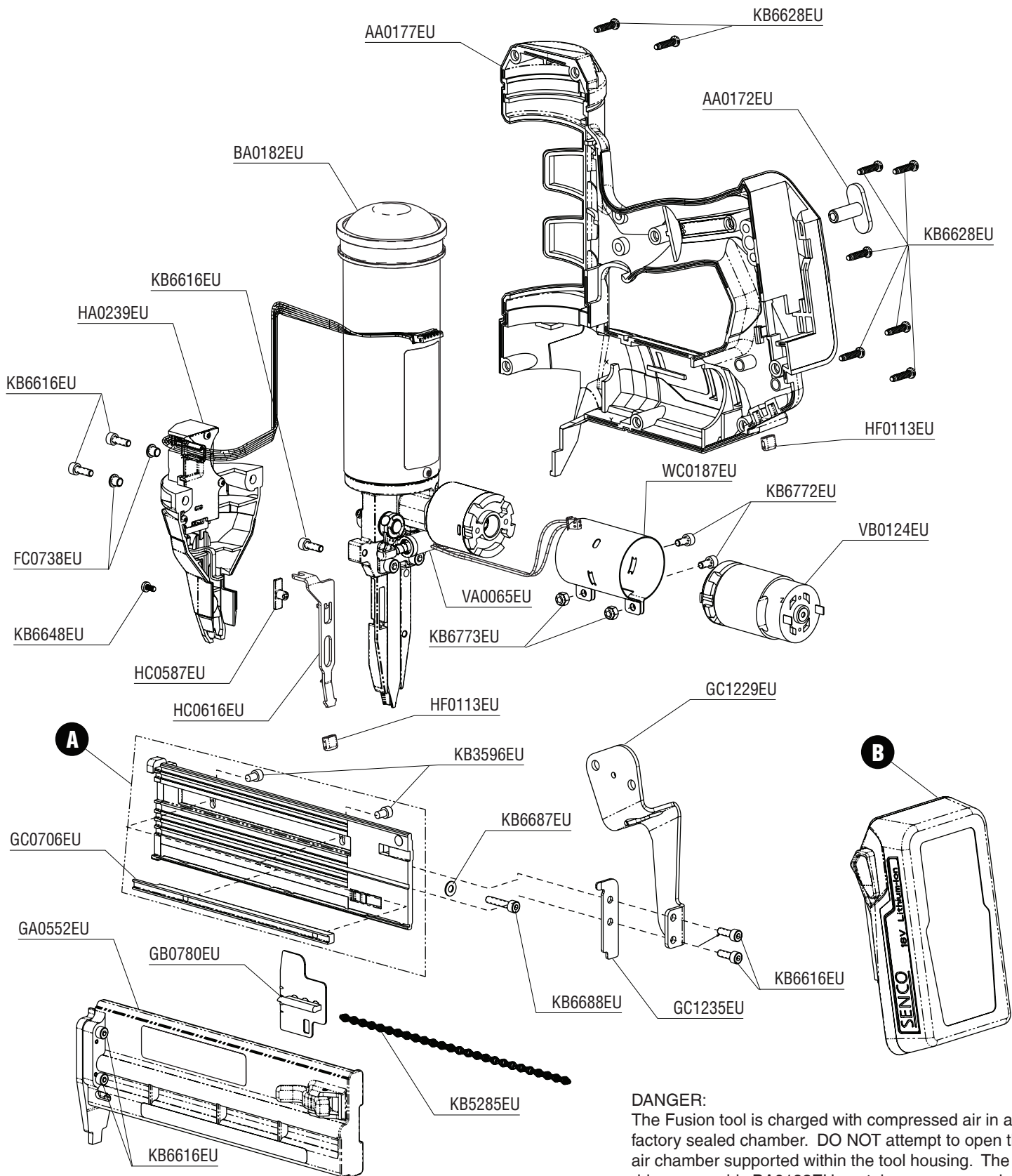
SENCO[®]



| Tool # | A | B | C |
|-----------------------|----------|----------|----------|
| 6E0001N (US / S. AM.) | GA0553 | VB0118 | VB0120 |
| 6E2001N (EU) | GA0554EU | VB0129EU | VB0130EU |
| 6E3001N (AU) | GA0553 | VB0129 | VB0131 |
| 6E3501N (NZ) | GA0553 | VB0129 | VB0131 |
| 6E7001N (UK) | GA0554EU | VB0129EU | VB0132EU |

EU DESIGNED PARTS CAN BE DIFFERENT

FN55AX 18 Gauge Brad Nailer



NFE08E Revised November 17, 2010 (Replaces 6/16/10) © 2010 by SENCO Brands, Inc. Cincinnati, Ohio 45245—U.S.A.

EU DESIGNED PARTS CAN BE DIFFERENT

DANGER:
 The Fusion tool is charged with compressed air in a factory sealed chamber. **DO NOT** attempt to open the air chamber supported within the tool housing. The driver assembly BA0182EU contains no user-serviceable parts. Major components such as the piston/driver assembly, gearbox, piston stop and guide body are all part of the drive assembly.

- Deliberate tampering with the drive assembly may result in the release of the driver.
- Any repair or upgrade requiring access to the pressure chamber should be handled by an authorized Senco dealer or service center.

FN55AX 18 Gauge Brad Nailer

REPLACEMENT PARTSLIST • LISTA DE PARTES DE REPUESTO • ERSATSTEILE-LISTE • LISTE DE PIÈCES DE RECHANGE

| PART NO. | DESCRIPTION | DESCRIPCIÓN | BESCHREIBUNG | DÉSIGNATION |
|----------|---------------------------|-----------------------|------------------------|----------------------|
| AA0172EU | BELT HOOK | GANCHO DE CINTURÓN | GURTHAKEN | CROCHET DE CEINTURE |
| AA0177EU | BODY, RIGHT HALF | CARCASA | GEHÄUSE | CORPS |
| AA0186EU | BODY, LEFT HALF | CARCASA | GEHÄUSE | CORPS |
| AF0101EU | COVER | CUBIERTA | ABDECKUNG | COUVERCLE |
| BA0182EU | DRIVE ASY | MECHANISM DE PERCUSOR | TREIBEN-ZUSAMMENBAU | ENFONCER D'ASSEMBLÉE |
| FC0738EU | STANDOFF | SEPARADOR | SISTANZSTÜCK | ENTRETOISE |
| GA0552EU | RAIL ASSY, MOVEABLE | CARRIL | SCHIENE | RAIL |
| GA0553 | RAIL ASSY (US /S.A/AU/NZ) | CARRIL | SCHIENE | RAIL |
| GA0554EU | RAIL ASSY (EU /UK) | CARRIL | SCHIENE | RAIL |
| GB0780EU | FEEDER SHOE ASY | ALIMENTADOR | NAGELSCHIEBER | POUSSOIR |
| GC0706EU | MAGAZINE RAIL | CARRIL | SCHIENE | RAIL |
| GC1229EU | BRACKET | BRAZO | HALTERUNG | CAVALIER |
| GC1235EU | LATCH PLATE | PLACA | PLATTE | PLAQUE |
| HA0239EU | SAFETY ASY | ASAMBLE DE SEGURO | SICHERHEITSVORRICHTUNG | PALPEUR DE SÉCURITÉ |
| HC0587EU | INDICATOR | MANOMÉTRICA | ZEIGER | BAGUETTE |
| HC0616EU | SAFETY ELEMENT | ASAMBLE DE SEGURO | SICHERHEITSVORRICHTUNG | PALPEUR DE SÉCURITÉ |
| HF0113EU | NO-MAR PAD | AMORTIGUADOR | SCHUTZ | COUSSIN |
| KB3596EU | SCREW | TORNILLO | SCHRAUBE | VIS |
| KB5285EU | SPRING | MUELLE | FEDER | RESSORT |
| KB6616EU | SCREW | TORNILLO | SCHRAUBE | VIS |
| KB6625EU | SCREW | TORNILLO | SCHRAUBE | VIS |
| KB6626EU | NUT | TUERCA | MUTTER | ÉCROU |
| KB6628EU | SCREW | TORNILLO | SCHRAUBE | VIS |
| KB6632EU | SCREW | TORNILLO | SCHRAUBE | VIS |
| KB6648EU | SCREW | TORNILLO | SCHRAUBE | VIS |
| KB6687EU | WASHER | ARANDELA | SCHEIBE | RONDELLE |
| KB6688EU | SCREW | TORNILLO | SCHRAUBE | VIS |
| KB6772EU | SCREW | TORNILLO | SCHRAUBE | VIS |
| KB6773EU | NUT | TUERCA | MUTTER | ÉCROU |
| VA0065EU | SOLENOID | SOLENOIDE | MAGNETVENTIL | SOLÉNOIDE |
| VB0118 | BATTERY (US / S AMER) | BATERIA | BATTERIE | BATTERIE |
| VB0120 | CHARGER (US / S AMER)) | CARAGADOR | LADEGERÄT | CHARGEUR |
| VB0121EU | TRIGGER | GATILLO | AUSLÖSER | GÂCHETTE |
| VB0122EU | PCB HOUSING | ALOJAMIENTO | GEHÄUSE | CORPS |
| VB0124EU | MOTOR, DRIVE ASY | MOTOR IMPULSOR | ANTRIEBSMOTOR | MOTEUR, ENTRA |
| VB0129EU | BATTERY (EURO/AUST/UK/NZ) | BATERIA | BATTERIE | BATTERIE |
| VB0130EU | CHARGER (EURO) | CARAGADOR | LADEGERÄT | CHARGEUR |
| VB0131 | CHARGER (AU/NZ) | CARAGADOR | LADEGERÄT | CHARGEUR |
| VB0132EU | CHARGER (U.K.) | CARAGADOR | LADEGERÄT | CHARGEUR |
| WC0187EU | CLAMP | ALOJAMIENTO | GEHÄUSE | CORPS |